

SOLENOID OPERATED CARTRIDGE VALVES DIRECT ACTING DOUBLE LOCK NORMALLY CLOSED "EVT1"

TECHNICAL SPECIFICATIONS

DESCRIPTION

- They consist of normally closed direct acting double lock solenoid cartridge valves. They are electrically acted by means of a DC solenoid. Internal leakage is almost null.
- When the coil is de-energized this valve is able to block the flow from both directions regardless of the pressure of the system.
- When the coil is energized the needle lowers, allowing free flow in both directions. In order to operate the manual override you need to push the small swivel located on top of the valve; release it to reset the normal operating configuration.

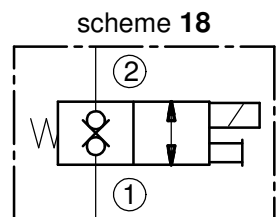
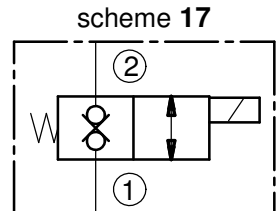
MATERIALS

- All components are made in high quality steel.
- The piston is hardened and ground.

MAIN OPERATING FEATURES

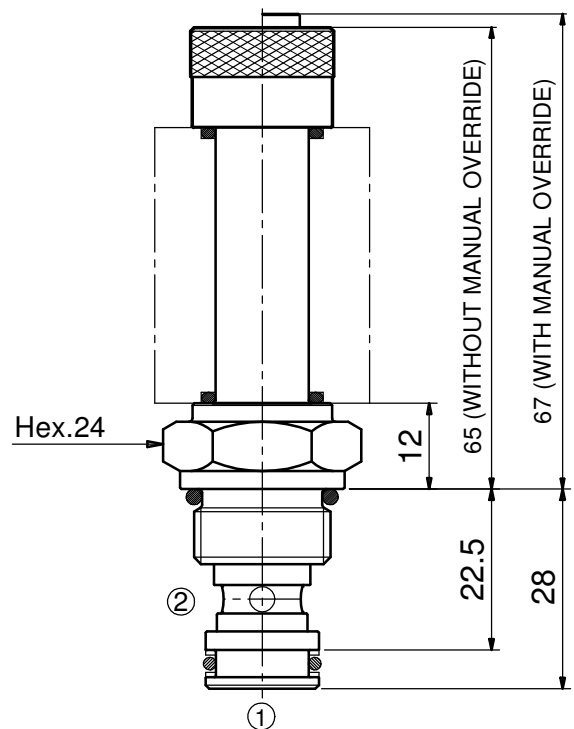
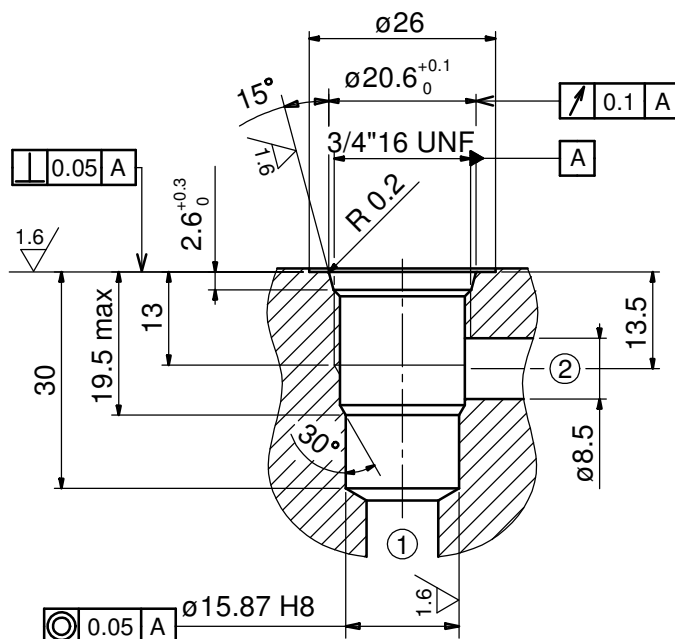
- External valve surfaces are zinc coated
- Max working pressure 210 bar
- Max flow 15-25 l/min
- Weight 0.110 Kg

ISO SYMBOLS



Cavity $\varnothing 15.87$

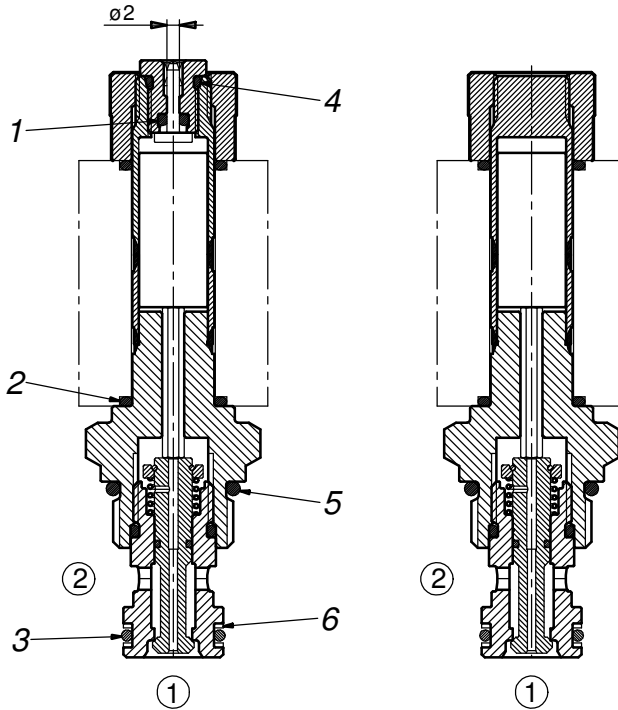
CAVITY DETAILS



Installation torque Nm 40-45

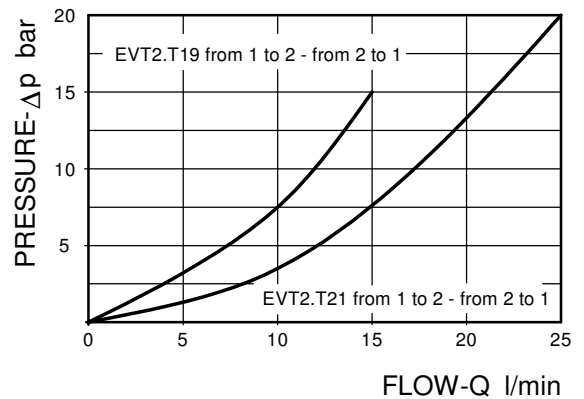
SOLENOID OPERATED CARTRIDGE VALVES DIRECT ACTING DOUBLE LOCK NORMALLY CLOSED "EVT1"

CROSS VIEW



6	Backup ring d.13x15.9x0.8
5	O-Ring 70Sh d.16.36x2.20
4	O-Ring 70Sh d.6x1.5
3	O-Ring 70Sh d.12.42x1.78
2	O-Ring 70Sh d.13x2
1	O-Ring 70Sh d.1.78x1.78
Ref	Seals

PERFORMANCE



ORDERING CODE

Basic Version: maximum rated flow 15 l/min.

EVT1.T19.17.000 Basic code 15 l/min. without manual override

EVT1.T19.18.000 Basic code 15 l/min. with manual override

PLEASE NOTE: the basic version requires a **18W Coil**

Special Version: maximum rated flow 25 l/min.

EVT1.T21.17.000 Basic code 25 l/min. without manual override

EVT1.T21.18.000 Basic code 25 l/min. with manual override

PLEASE NOTE: the special version requires a **22W Coil**