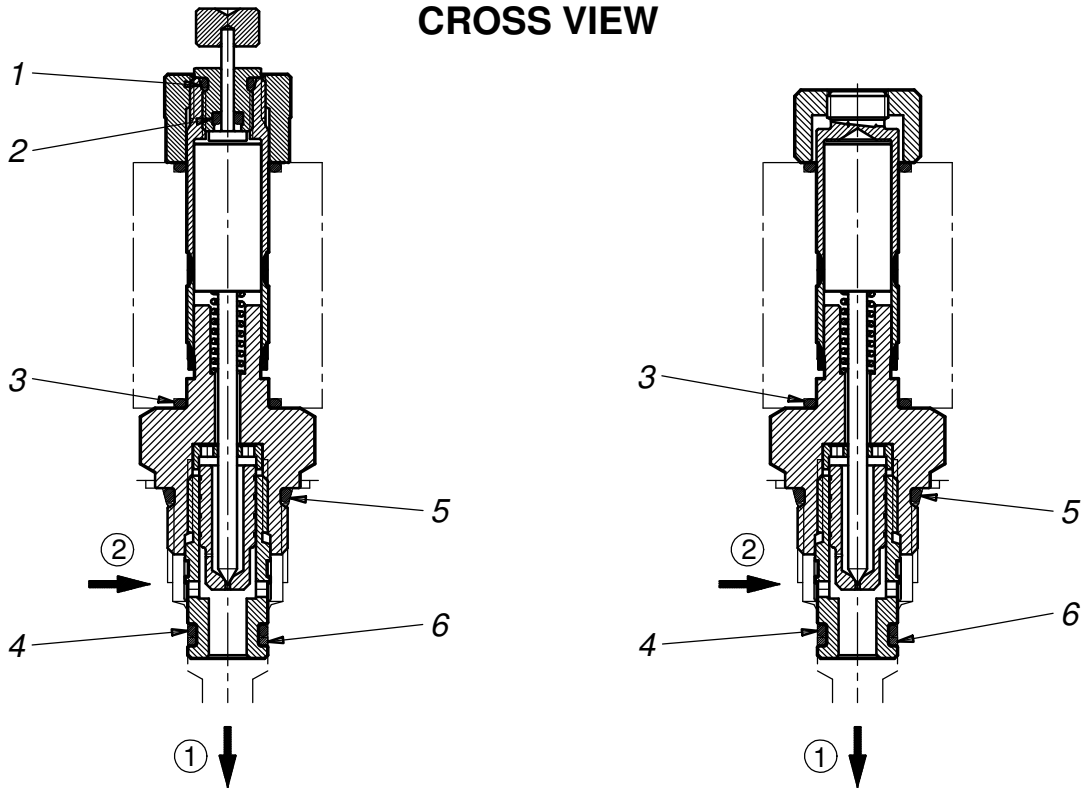


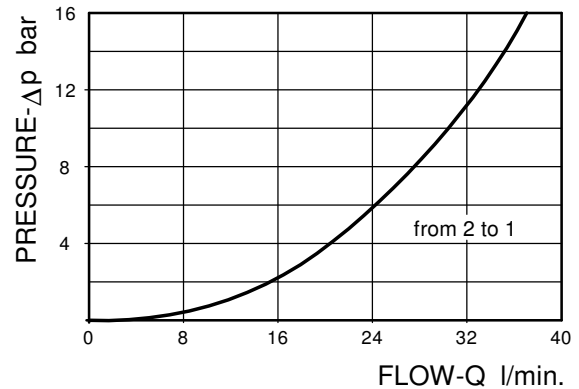


## SOLENOID OPERATED CARTRIDGE VALVES POPPET 2-WAY NORMALLY OPEN "EVP0"

### CROSS VIEW



### PERFORMANCE



6	Backup ring $\varnothing 9.9 \times 12.7 \times 1.4$
5	O-Ring $\varnothing 16.36 \times 2.20$ 70 sh
4	O-Ring $\varnothing 9.25 \times 1.78$ 70 sh
3	O-Ring $\varnothing 13 \times 2$ 70 sh
2	O-Ring $\varnothing 1.78 \times 1.78$ 70 sh
1	O-Ring $\varnothing 6 \times 1.5$ 70sh.
<b>Ref</b>	<b>Seals</b>

### ORDERING CODE

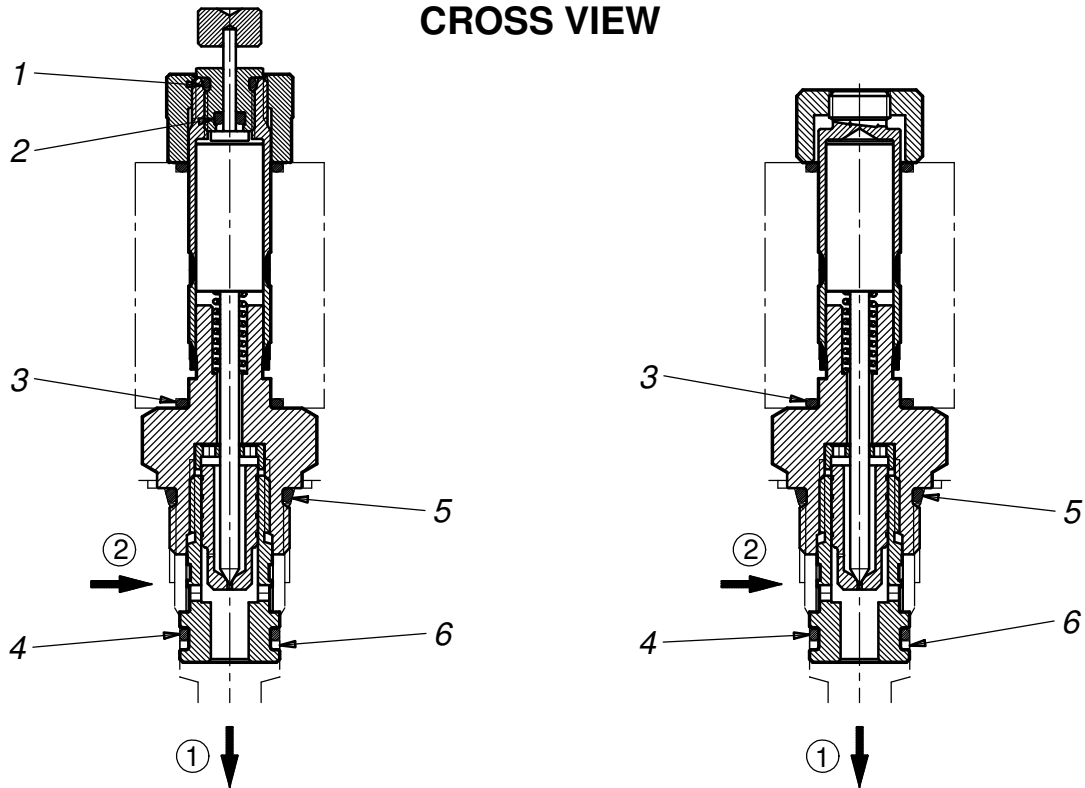
Basic code **EVP0.T19.\* \*.000**

scheme	description
<b>09</b>	STANDARD VERSION WITH FILTER
<b>10</b>	WITH EMERGENCY WITH FILTER
<b>11</b>	STANDARD VERSION WITHOUT FILTER
<b>12</b>	WITH EMERGENCY WITHOUT FILTER

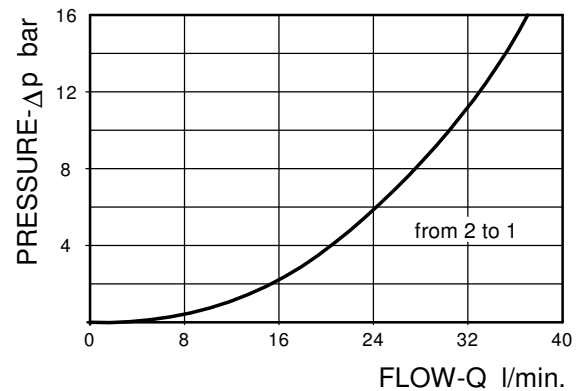


## SOLENOID OPERATED CARTRIDGE VALVES POPPET 2-WAY NORMALLY OPEN "EVP1"

### CROSS VIEW



### PERFORMANCE



6	Backup ring $\varnothing 13 \times 15.86 \times 1.4$
5	O-Ring $\varnothing 16.36 \times 2.20$ 70 sh
4	O-Ring $\varnothing 12.42 \times 1.78$ 70 sh
3	O-Ring $\varnothing 13 \times 2$ 70 sh
2	O-Ring $\varnothing 1.78 \times 1.78$ 70 sh
1	O-Ring $\varnothing 6 \times 1.5$ 70sh.
<b>Ref</b>	<b>Seals</b>

### ORDERING CODE

Basic code **EVP1.T19.\* \*.000**

scheme	description
<b>09</b>	STANDARD VERSION WITH FILTER
<b>10</b>	WITH EMERGENCY WITH FILTER
<b>11</b>	STANDARD VERSION WITHOUT FILTER
<b>12</b>	WITH EMERGENCY WITHOUT FILTER