

SOLENOID OPERATED CARTRIDGE VALVES POPPET 2-WAY NORMALLY CLOSED "EVS0"

TECHNICAL SPECIFICATIONS

DESCRIPTION

- Cartridge valves, two way, normally closed poppet style solenoid operated DC or AC. Leak proof design. When de-energized the valve acts as a check valve allowing oil flow only from port '1' to port '2'. In this application it is recommended to choose symbols "03" or "04" to prevent contamination to be trapped inside the filter when oil is flowing from port '1' to port '2'.
- When energized the oil flow is possible from port '2' to port '1' and is restricted from '1' to '2'.
- To operate the manual override turn the round knob counterclockwise; to reseal the valve for normal operation turn the knob clockwise.

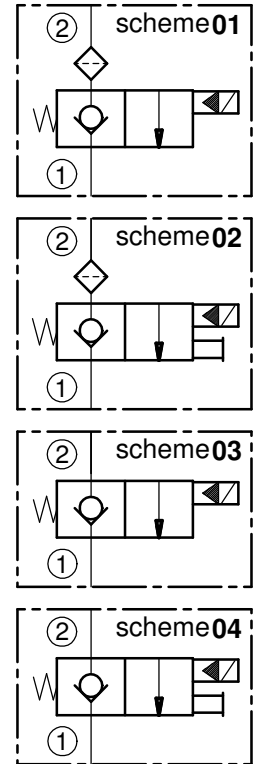
MATERIALS

- All components are made in high quality steel. The piston and the pilot poppet are hardened and ground.

MAIN OPERATING FEATURES

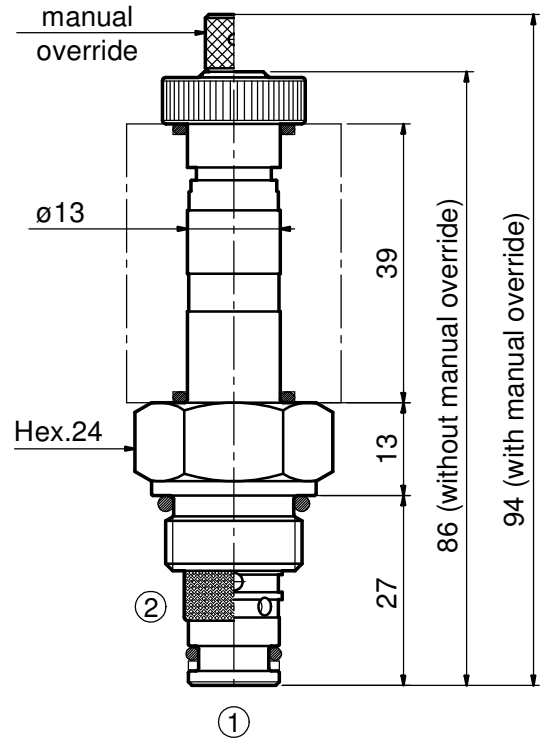
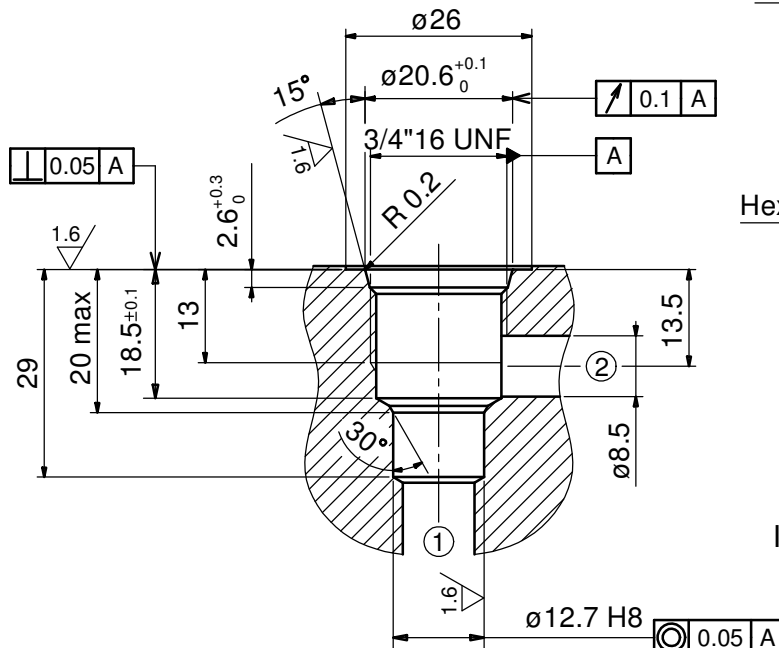
- External valve surfaces are zinc coated
- Max working pressure 280 bar
- Max flow 40 l/min
- Filtration: 280 micron or better
- Weight 0.115 Kg
- Coils must be ordered separately

ISO SYMBOLS



Q= 40 l/min
P= 280 bar
Cavity ø12.7

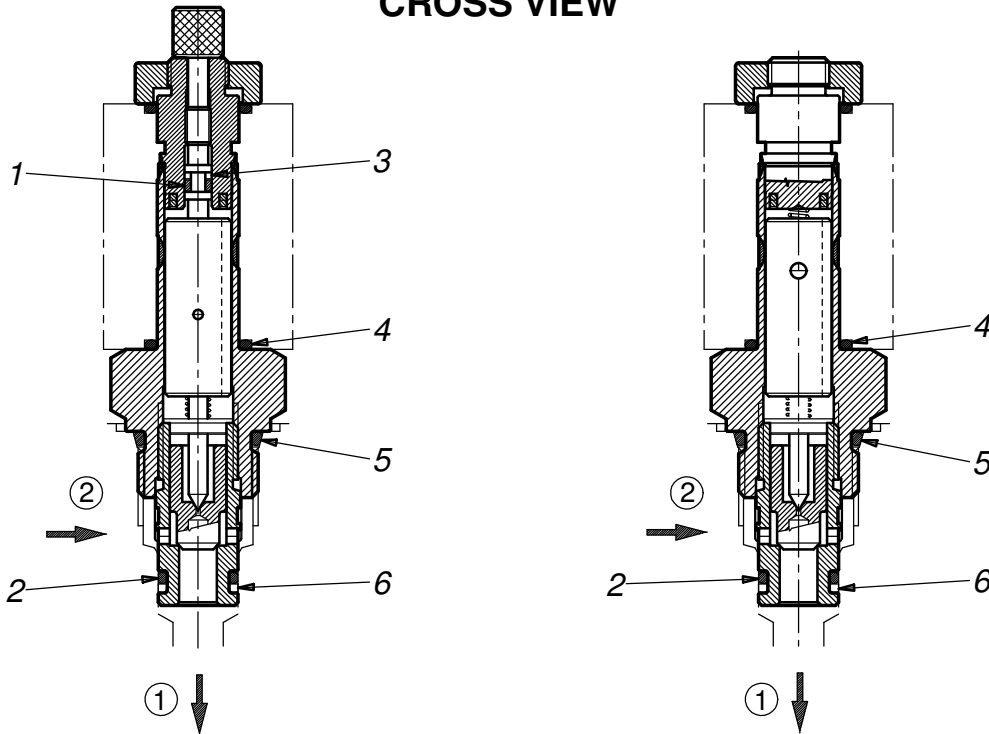
CAVITY DETAILS



Installation torque Nm 40-45

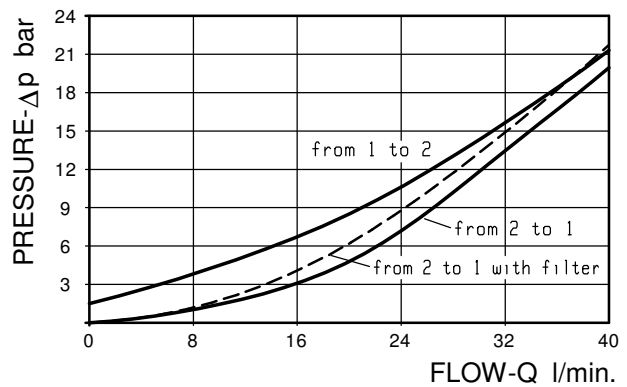
SOLENOID OPERATED CARTRIDGE VALVES POPPET 2-WAY NORMALLY CLOSED "EVS0"

CROSS VIEW



6	Backup ring $\varnothing 9.9 \times 12.7 \times 1.4$
5	O-Ring $\varnothing 16.36 \times 2.20$ 70 sh
4	O-Ring $\varnothing 13 \times 2$ 70 sh
3	Backup ring $\varnothing 2.3 \times 4.25 \times 1$
2	O-Ring $\varnothing 9.25 \times 1.78$ 70 sh
1	O-Ring $\varnothing 1.85 \times 1.5$ 70sh.
Ref	Seals

PERFORMANCE



Performance curve from 1 to 2 with coil de-energized
Mineral oil 46 cSt at 40° C

ORDERING CODE

Basic code **EVS0.T19.* *.000**

scheme	description
01	STANDARD VERSION WITH FILTER
02	WITH EMERGENCY WITH FILTER
03	STANDARD VERSION WITHOUT FILTER
04	WITH EMERGENCY WITHOUT FILTER

SOLENOID OPERATED CARTRIDGE VALVES POPPET 2-WAY NORMALLY CLOSED "EVS0"

TECHNICAL SPECIFICATIONS

DESCRIPTION

- Cartridge valves, two way, normally closed poppet style solenoid operated DC or AC. Leak proof design. When de-energized the valve acts as a check valve allowing oil flow only from port '2' to port '1'.
- Energizing the coil the poppet lifts allowing flow in both directions.
- To operate the manual override turn the round knob counterclockwise; to reseat the valve for normal operation turn the knob clockwise.

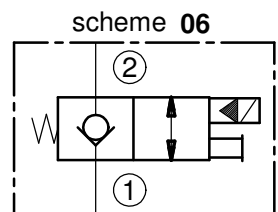
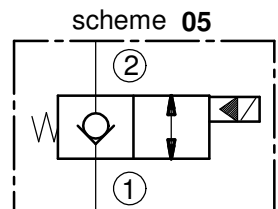
MATERIALS

- All components are made in high quality steel.
- The piston and the pilot poppet are hardened and ground.

MAIN OPERATING FEATURES

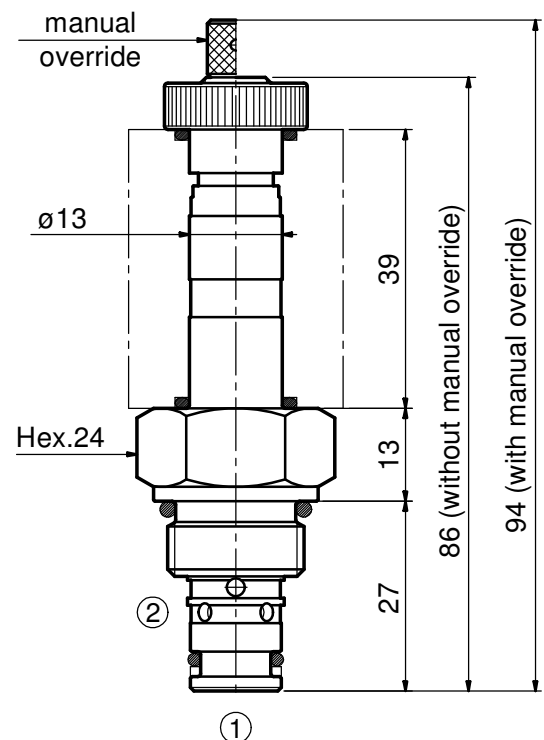
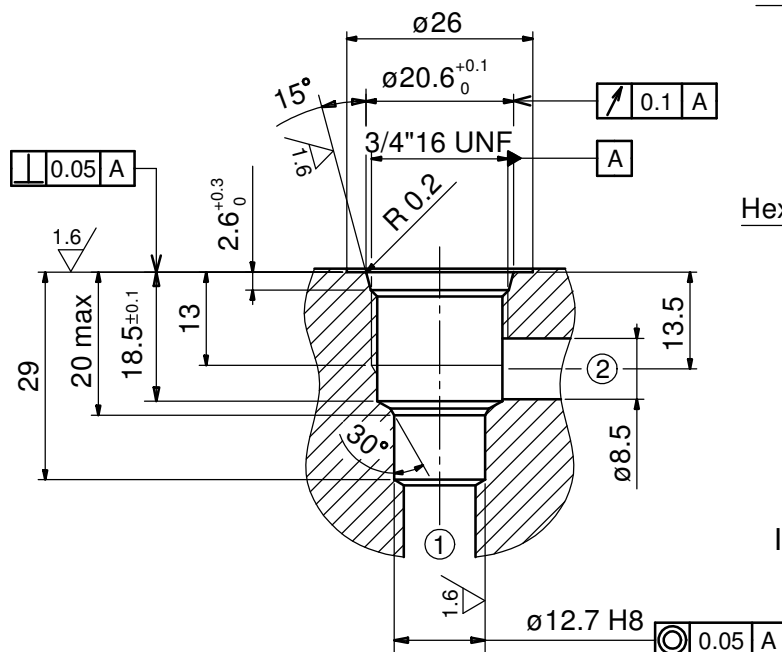
- External valve surfaces are zinc coated
- Max working pressure 280 bar
- Max flow 40 l/min
- Weight 0.115 Kg
- Coils must be ordered separately

ISO SYMBOLS



Q= 40 l/min
P= 280 bar
Cavity ø12.7

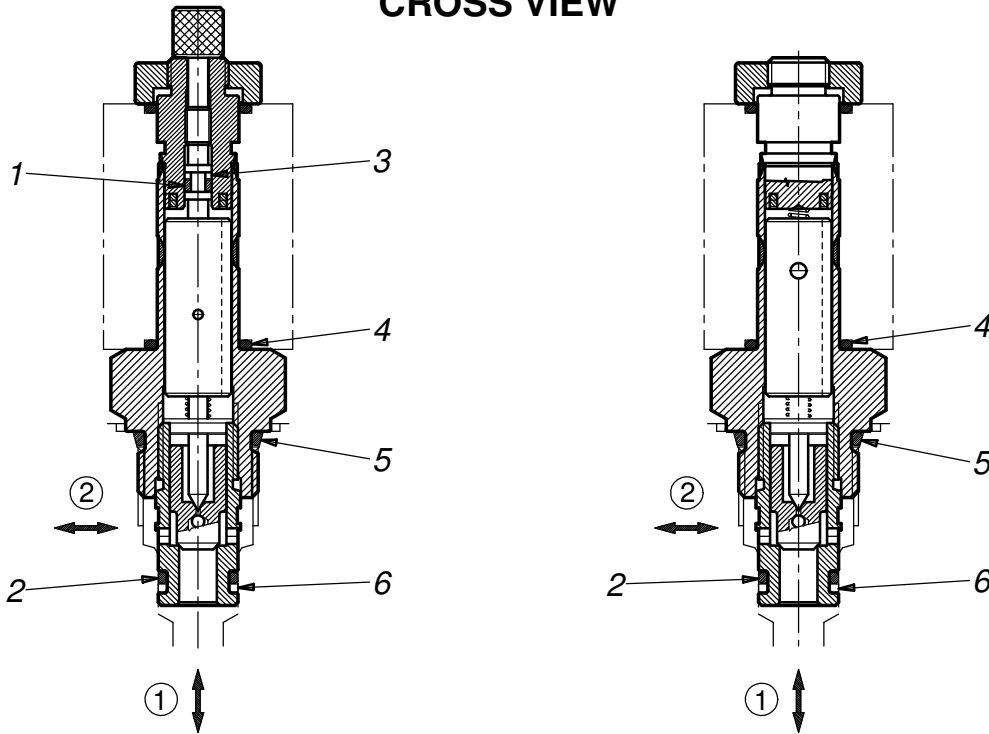
CAVITY DETAILS



Installation torque Nm 40-45

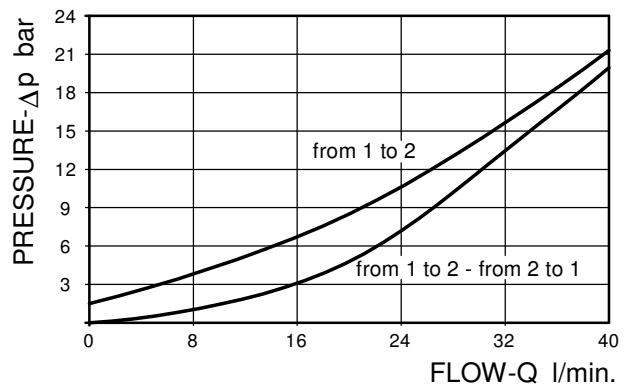
SOLENOID OPERATED CARTRIDGE VALVES POPPET 2-WAY NORMALLY CLOSED "EVS0"

CROSS VIEW



6	Backup ring $\varnothing 9.9 \times 12.7 \times 1.4$
5	O-Ring $\varnothing 16.36 \times 2.20$ 70 sh
4	O-Ring $\varnothing 13 \times 2$ 70 sh
3	Backup ring $\varnothing 2.3 \times 4.25 \times 1$
2	O-Ring $\varnothing 9.25 \times 1.78$ 70 sh
1	O-Ring $\varnothing 1.85 \times 1.5$ 70sh.
Ref	Seals

PERFORMANCE



Performance curve from 1 to 2 with coil de-energized
Mineral oil 46 cSt at 40° C

ORDERING CODE

Basic code **EVS0.T19.* *.000**

scheme	description
05	STANDARD VERSION
06	VERSION WITH EMERGENCY

SOLENOID OPERATED CARTRIDGE VALVES POPPET 2-WAY NORMALLY CLOSED "EVS1"

TECHNICAL SPECIFICATIONS

DESCRIPTION

- Cartridge valves, two way, normally closed poppet style solenoid operated DC or AC. Leak proof design. When de-energized the valve acts as a check valve allowing oil flow only from port '1' to port '2'. In this application it is recommended to choose symbols "03" or "04" to prevent contamination to be trapped inside the filter when oil is flowing from port '1' to port '2'.
- When energized the oil flow is possible from port '2' to port '1' and is restricted from '1' to '2'.
- To operate the manual override turn the round knob counterclockwise; to reset the valve for normal operation turn the knob clockwise.

MATERIALS

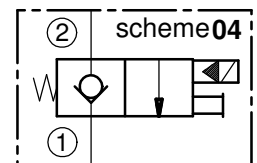
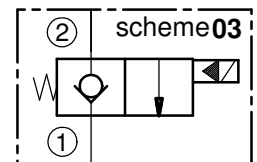
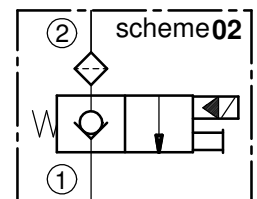
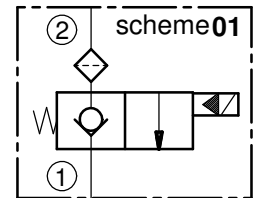
- All components are made in high quality steel. The piston and the pilot poppet are hardened and ground.

MAIN OPERATING FEATURES

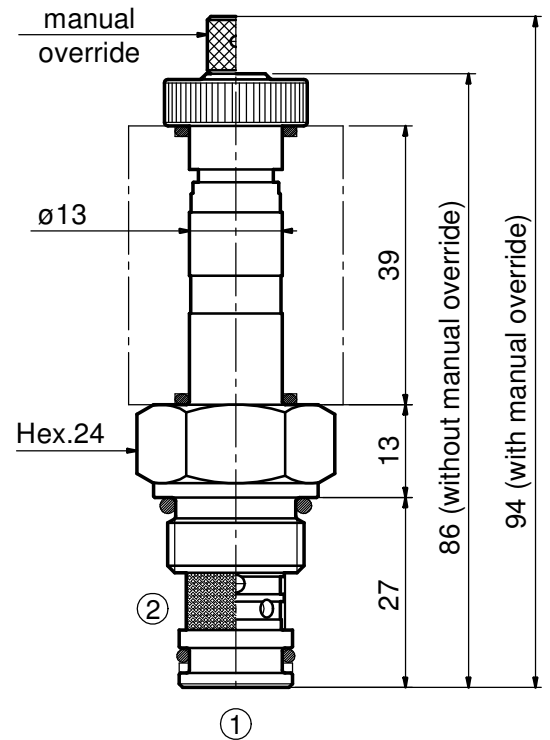
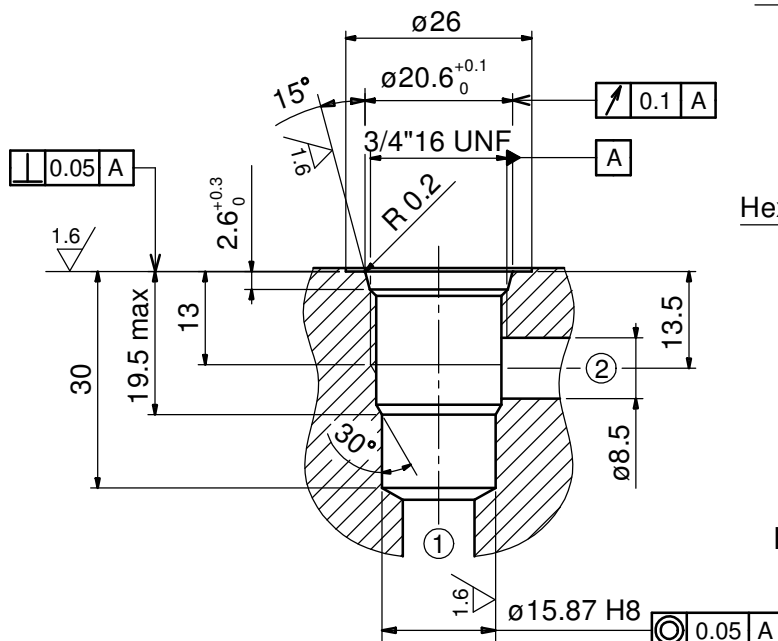
- External valve surfaces are zinc coated
- Max working pressure 280 bar
- Max flow 40 l/min
- Filtration: 280 micron or better
- Weight 0.115 Kg
- Coils must be ordered separately

Q= 40 l/min
P= 280 bar
Cavity ø15.87

ISO SYMBOLS



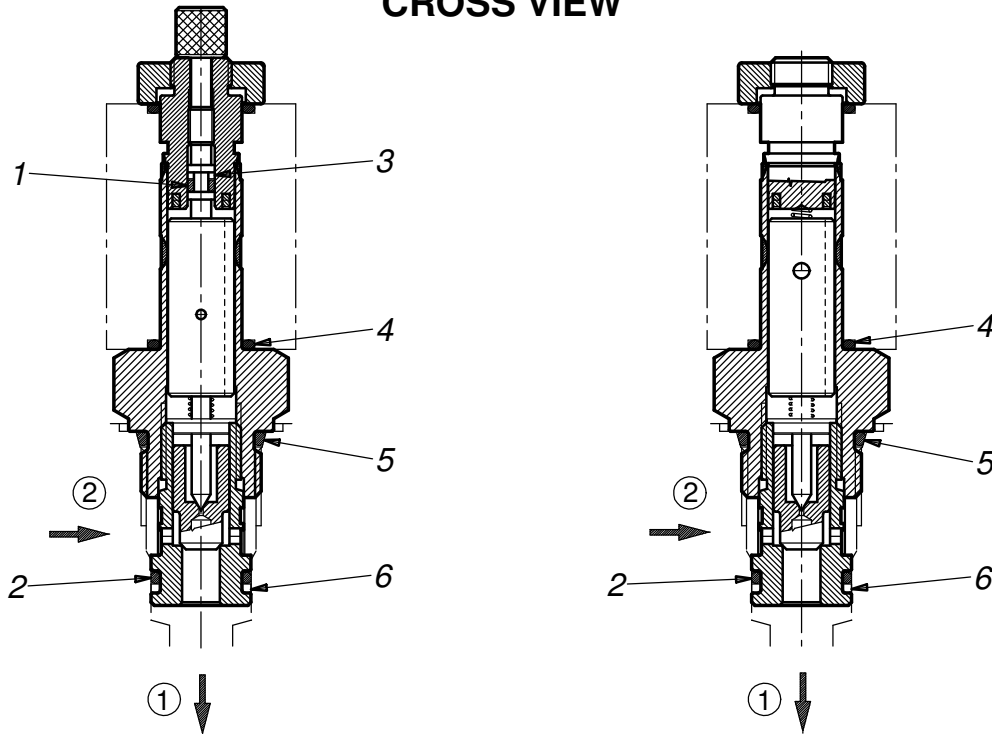
CAVITY DETAILS



Installation torque Nm 40-45

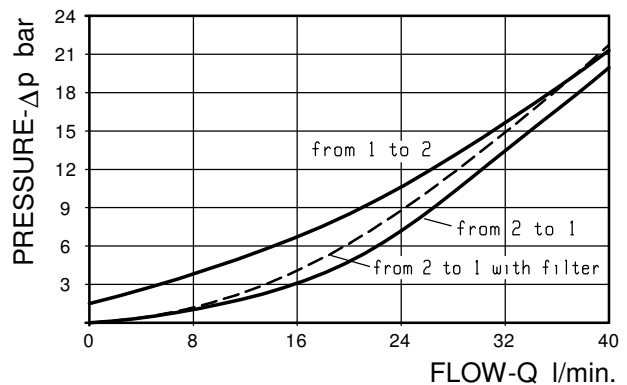
SOLENOID OPERATED CARTRIDGE VALVES POPPET 2-WAY NORMALLY CLOSED "EVS1"

CROSS VIEW



6	Backup ring $\varnothing 13 \times 15.86 \times 1.4$
5	O-Ring $\varnothing 16.36 \times 2.20$ 70 sh
4	O-Ring $\varnothing 13 \times 2$ 70 sh
3	Backup ring $\varnothing 2.3 \times 4.25 \times 1$
2	O-Ring $\varnothing 12.42 \times 1.78$ 70 sh
1	O-Ring $\varnothing 1.85 \times 1.5$ 70sh.
Ref	Seals

PERFORMANCE



Performance curve from 1 to 2 with coil de-energized
Mineral oil 46 cSt at 40° C

ORDERING CODE

Basic code **EVS1.T19.* *.000**

scheme	description
01	STANDARD VERSION WITH FILTER
02	WITH EMERGENCY WITH FILTER
03	STANDARD VERSION WITHOUT FILTER
04	WITH EMERGENCY WITHOUT FILTER

SOLENOID OPERATED CARTRIDGE VALVES POPPET 2-WAY NORMALLY CLOSED "EVS1"

TECHNICAL SPECIFICATIONS

DESCRIPTION

- Cartridge valves, two way, normally closed poppet style solenoid operated DC or AC. Leak proof design. When de-energized the valve acts as a check valve allowing oil flow only from port '2' to port '1'.
- Energizing the coil the poppet lifts allowing flow in both directions.
- To operate the manual override turn the round knob counterclockwise; to reseat the valve for normal operation turn the knob clockwise.

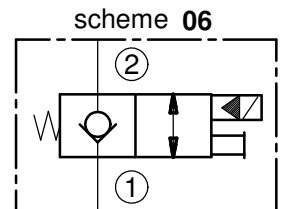
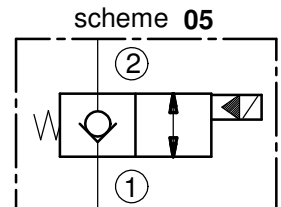
MATERIALS

- All components are made in high quality steel.
- The piston and the pilot poppet are hardened and ground.

MAIN OPERATING FEATURES

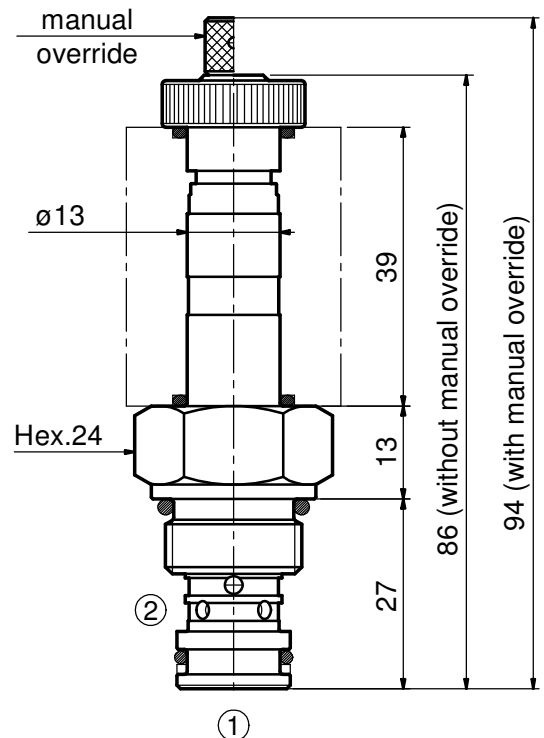
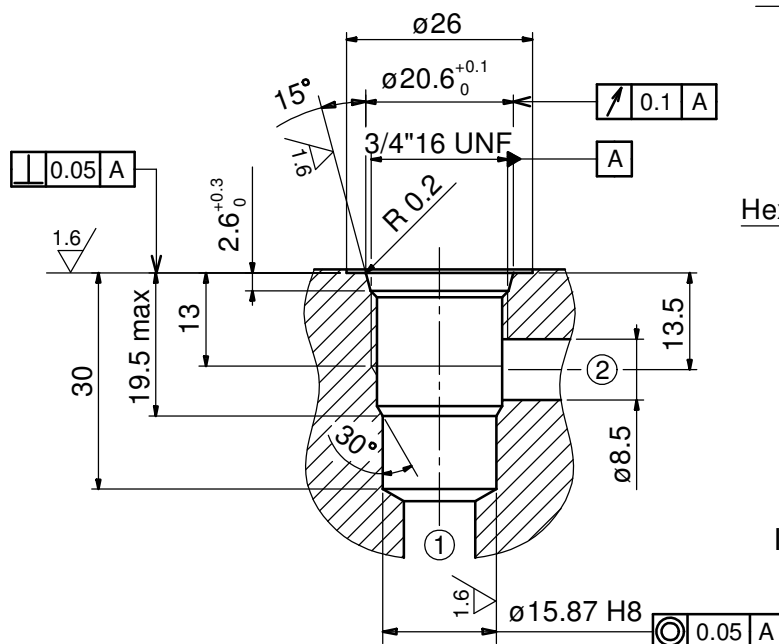
- External valve surfaces are zinc coated
- Max working pressure 280 bar
- Max flow 40 l/min
- Weight 0.115 Kg
- Coils must be ordered separately

ISO SYMBOLS



Q= 40 l/min
P= 280 bar
Cavity $\varnothing 15.87$

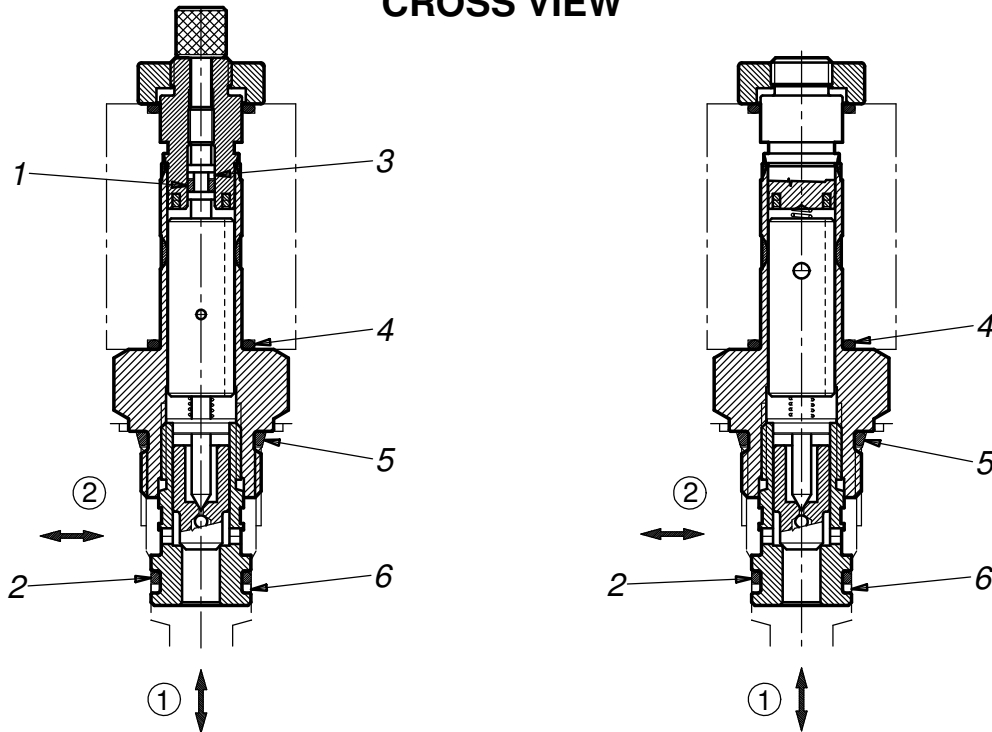
CAVITY DETAILS



Installation torque Nm 40-45

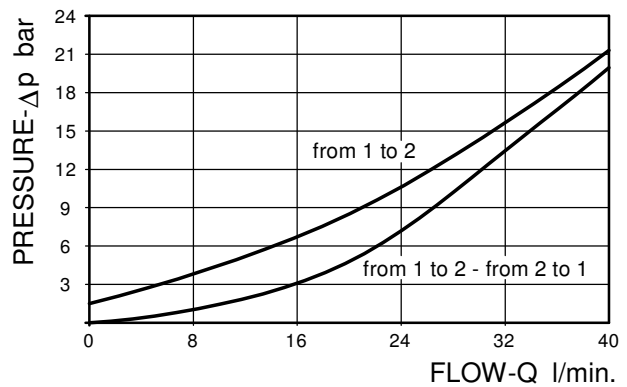
SOLENOID OPERATED CARTRIDGE VALVES POPPET 2-WAY NORMALLY CLOSED "EVS1"

CROSS VIEW



6	Backup ring $\varnothing 13 \times 15.86 \times 1.4$
5	O-Ring $\varnothing 16.36 \times 2.20$ 70 sh
4	O-Ring $\varnothing 13 \times 2$ 70 sh
3	Backup ring $\varnothing 2.3 \times 4.25 \times 1$
2	O-Ring $\varnothing 12.42 \times 1.78$ 70 sh
1	O-Ring $\varnothing 1.85 \times 1.5$ 70sh.
Ref	Seals

PERFORMANCE



Performance curve from 1 to 2 with coil de-energized
Mineral oil 46 cSt at 40° C

ORDERING CODE

Basic code **EVS1.T19.* *.000**

scheme	description
05	STANDARD VERSION
06	VERSION WITH EMERGENCY