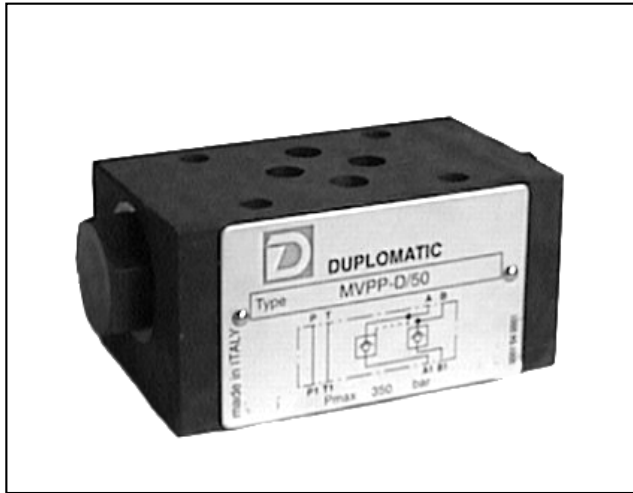




**DIPLOMATIC**  
HYDRAULICS

65 250/197 ED



# MVPP

## PILOT OPERATED CHECK VALVE SERIES 50

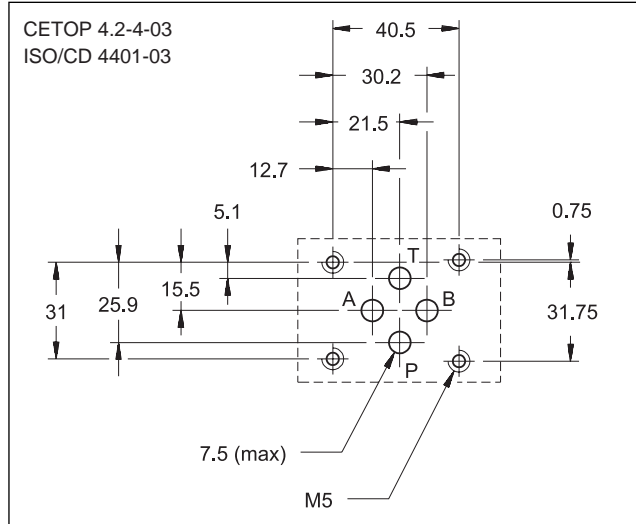
**MODULAR VERSION**

**CETOP 03**

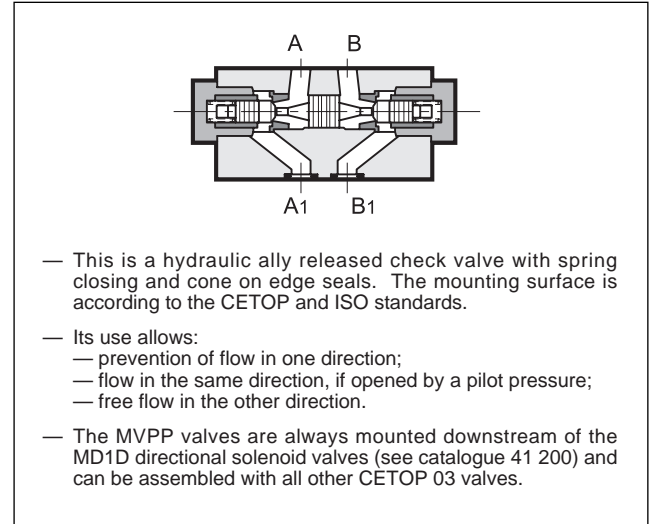
**p max 350 bar**

**Q max (see performance ratings table)**

### MOUNTING INTERFACE



### OPERATING PRINCIPLE



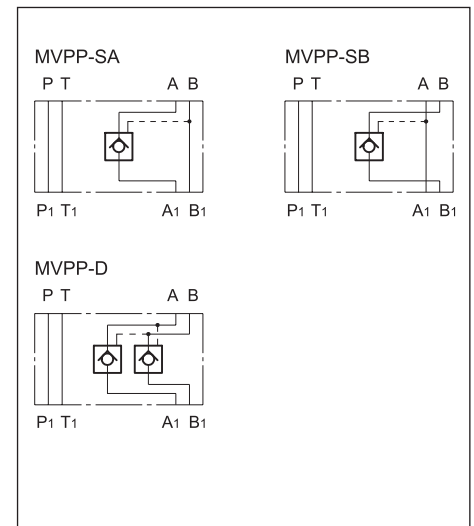
### CONFIGURATIONS (see Hydraulic symbols table)

- Configurations "SA" - "SB": are used to lock the actuator in one direction.
- Configuration "D": is used to lock the position of the actuator in both directions.

### PERFORMANCE RATINGS (measured with mineral oil of viscosity 36cSt at 50°C)

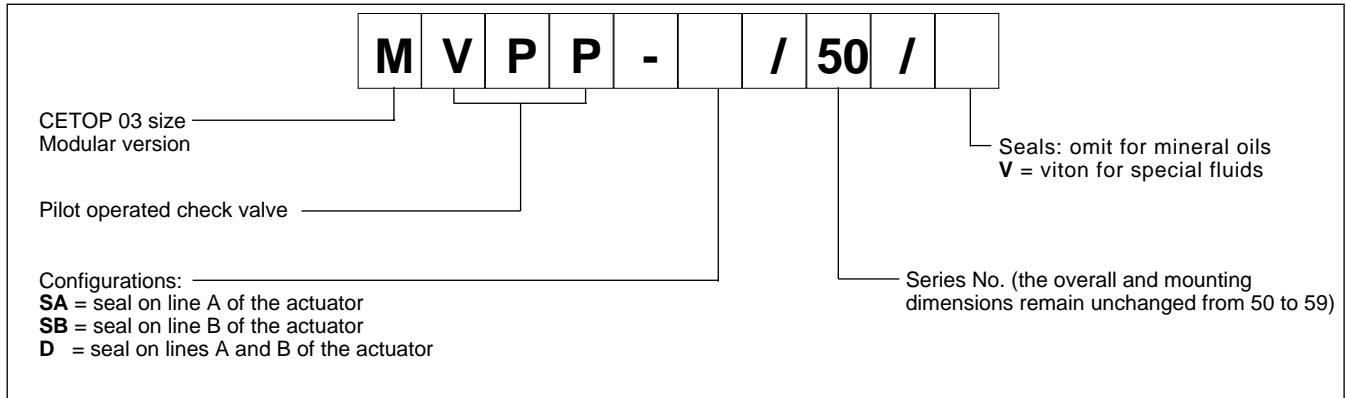
Maximum operating pressure	bar	350
Maximum flow rate in the controlled lines	l/min	50
Maximum flow rate in the free lines	l/min	75
Ratio between the pressure in the locked chambers and the piloting pressure		3,4 : 1
Check valve cracking pressure	bar	3
Ambient temperature range	°C	-20 ÷ +50
Fluid temperature range	°C	-20 ÷ +70
Fluid viscosity range	cSt	2,8 ÷ 380
Recommended filtration	µm absolute	≤ 25
Recommended viscosity	cSt	25
Mass	kg	1,3

### HYDRAULIC SYMBOLS

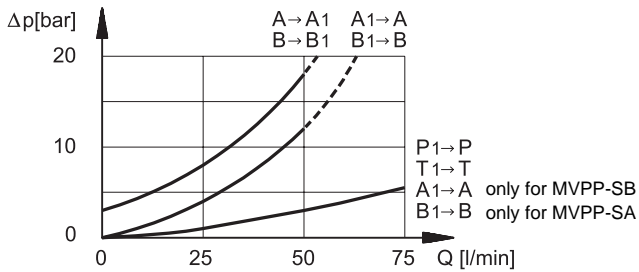




## 1 - IDENTIFICATION CODE



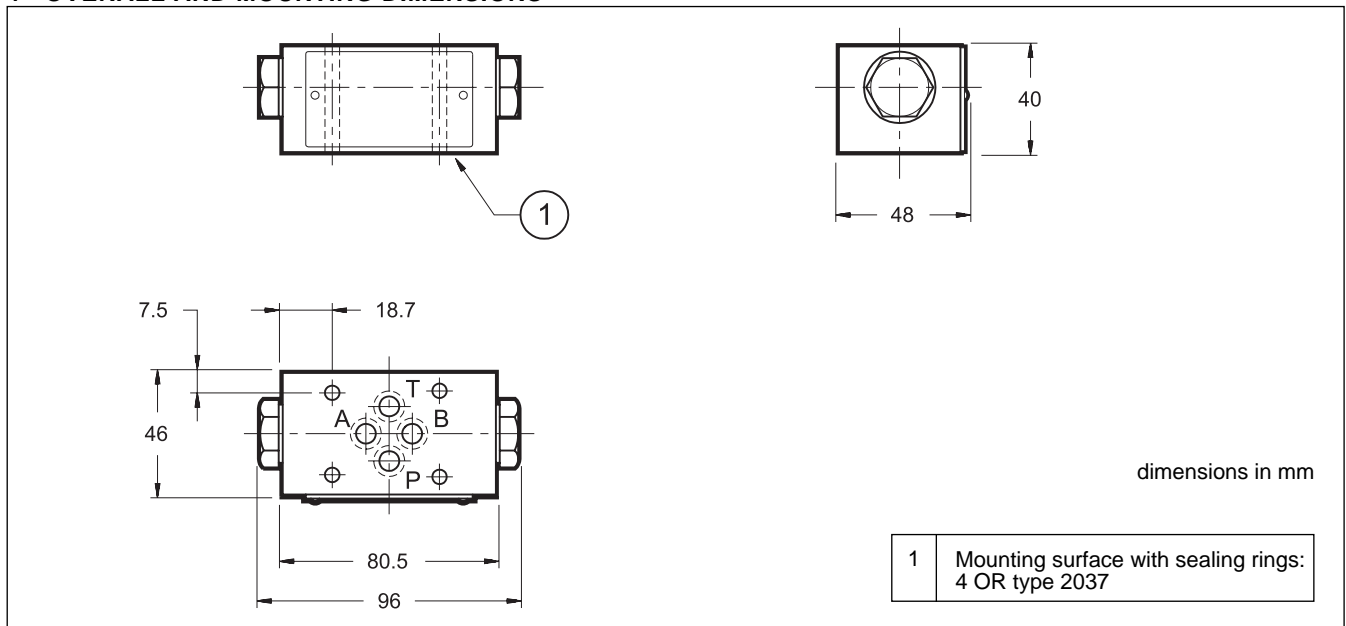
## 2 - CHARACTERISTIC CURVES (values obtained with viscosity of 36 cSt at 50°C)



## 3 - HYDRAULIC FLUIDS

Use mineral oil-based hydraulic fluids, with the addition of suitable anti-frothing and anti-oxidizing agents. For the use of other types (water glycol, phosphate esters and others), please consult our technical department.

## 4 - OVERALL AND MOUNTING DIMENSIONS



**DUPLOMATIC OLEODINAMICA SpA**  
 20025 LEGNANO (MI) - P.le Bozzi, 1 / Via Edison  
 Tel. 0331/472111-472236 - Fax 0331/548328