



**DIPLOMATIC
HYDRAULICS**

21 310/198 ED



RQM*-P

**ELECTRICALLY OPERATED PRESSURE
RELIEF VALVE WITH UNLOADING
AND PRESSURE SELECTION
SERIES 50**

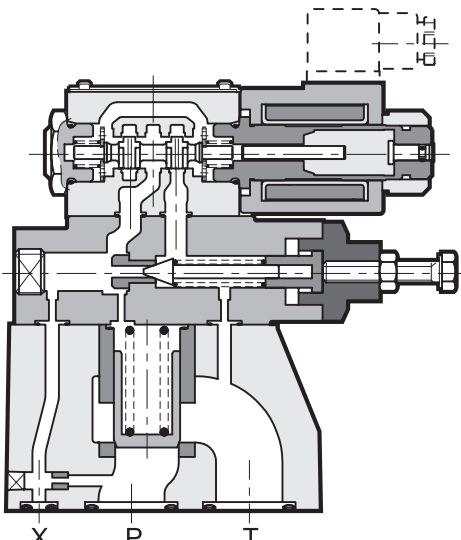
SUBPLATE MOUNTING:

RQM3-P CETOP R06

RQM5-P CETOP R08

RQM7-P CETOP R10

OPERATING PRINCIPLE



- The RQM*-P valves are pressure relief valves available in three nominal sizes for flow up to 350 l/min.
- They are available in CETOP subplate mounting version.
- Available in five versions that allow, by means of a solenoid valve, unloading of the total flow and selection up to three pressure values (see table 2 Versions).
- The adjustment of the second and third pressure values is obtained by a pressure relief valve placed between the main stage and the solenoid valve.
- It is normally supplied with a hexagonal head adjustment screw. Upon request, it can be equipped with a SICBLOC adjustment knob on the main pressure control.

PERFORMANCE RATINGS (measured with mineral oil of viscosity 36 cSt at 50°C)		RQM3-P	RQM5-P	RQM7-P
Maximum operating pressure	bar	350	350	350
Maximum flow rate	l/min	125	250	350
Ambient temperature range	°C	-20 ÷ +50		
Fluid temperature range	°C	-20 ÷ +70		
Fluid viscosity range	cSt	2,8 ÷ 380		
Recommended filtration	µm absolute	≤ 25		
Recommended viscosity	cSt	25		

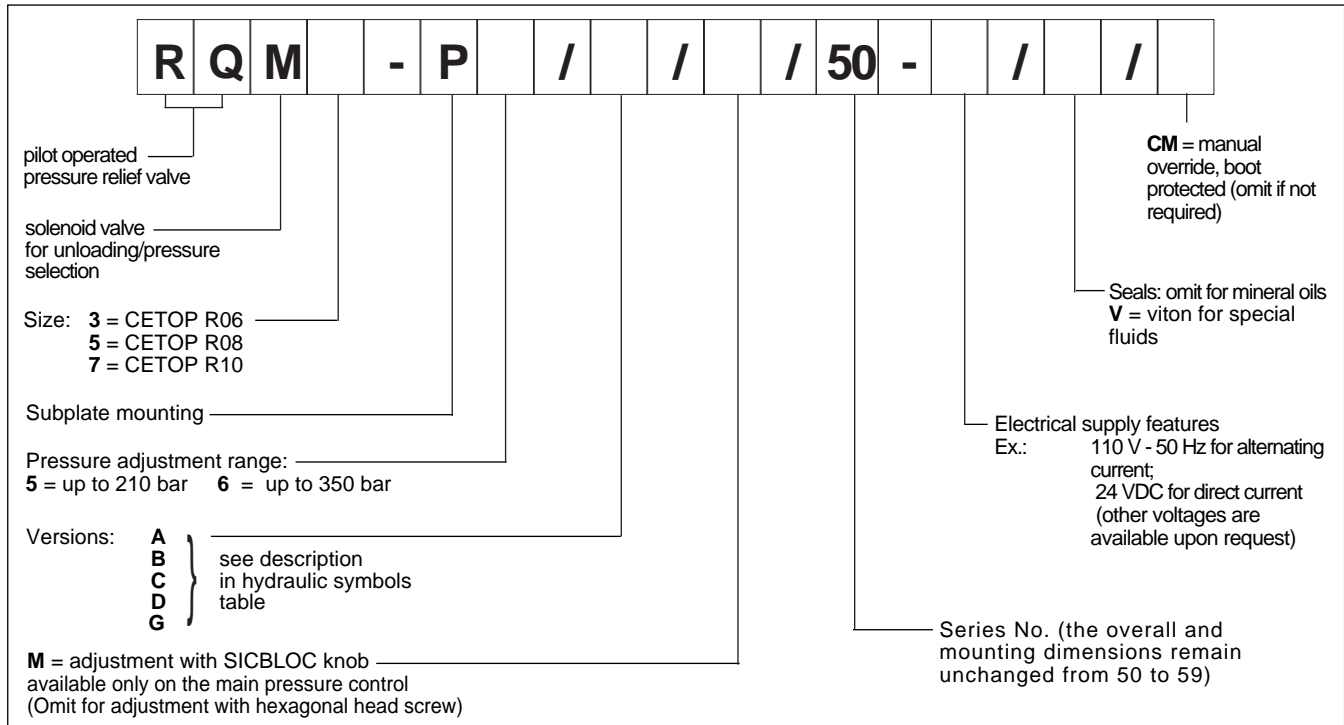
NOTE: for the solenoid valve MD1S characteristics see catalogue 41 200



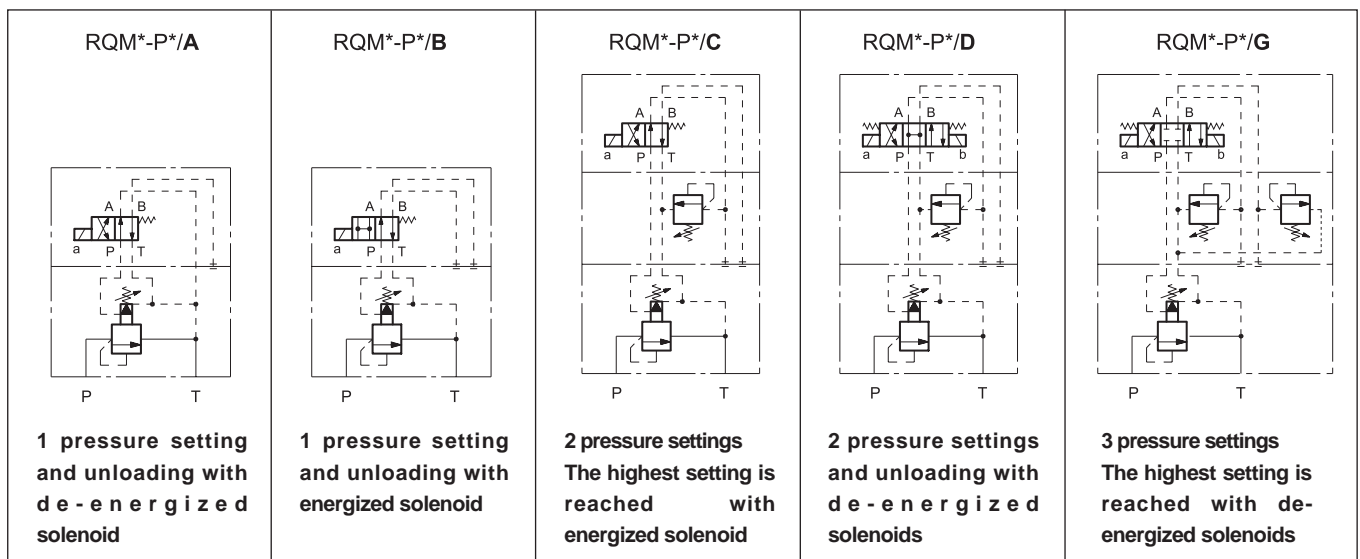
RQM*-P

SERIES 50

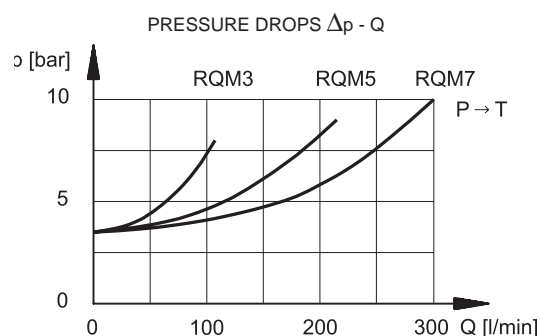
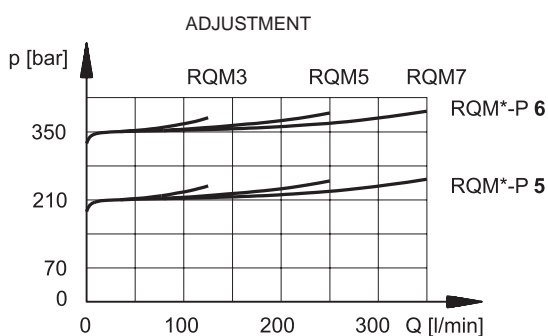
1 - IDENTIFICATION CODE



2 - VERSIONS



3 - CHARACTERISTIC CURVES (values obtained with viscosity of 36 cSt at 50°C)

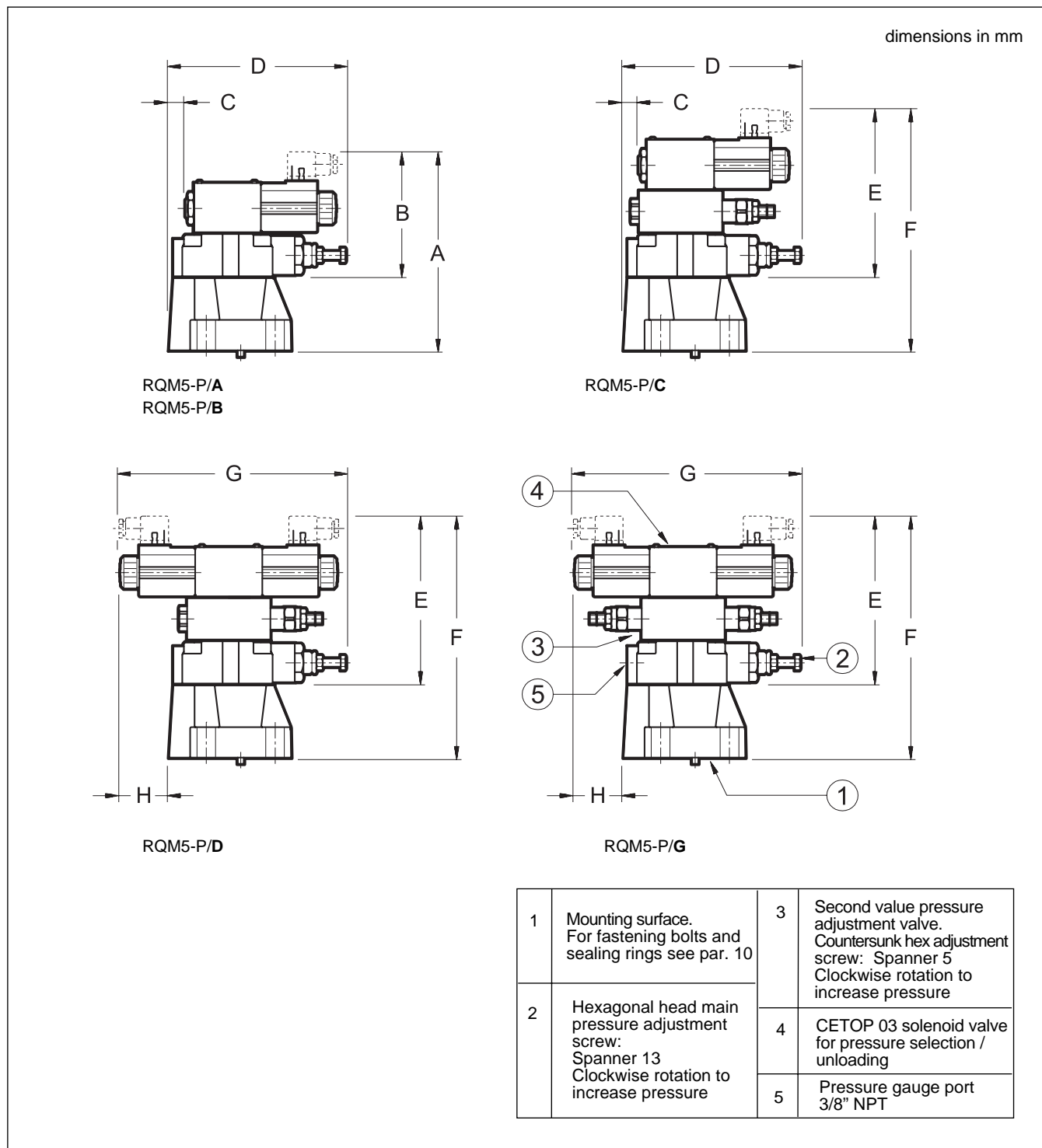




4 - HYDRAULIC FLUIDS

Use mineral oil-based hydraulic fluids, with the addition of suitable anti-frothing and anti-oxidizing agents.
For the use of other types (water glycol, phosphate esters and others), please consult our technical department.

5 - OVERALL AND MOUNTING DIMENSIONS



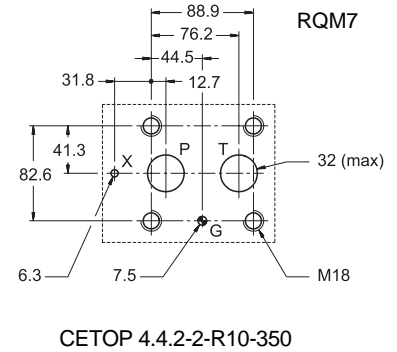
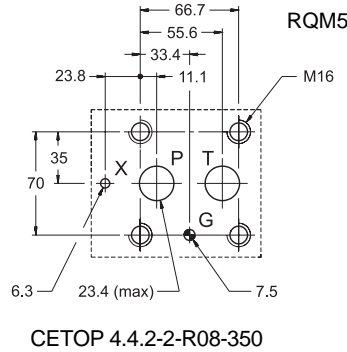
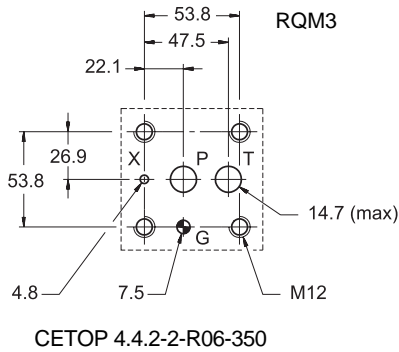
	A	B	C	D	E	F	G	H
RQM3	181	127	22	179	164	224	223	44
RQM5	191	127	14	170	164	234	222	52
RQM7	201	127	25	180	164	244	221	41



RQM*-P

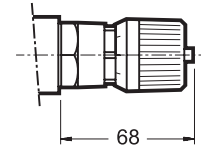
SERIES 50

6 - MOUNTING INTERFACES



7 - ADJUSTMENT KNOB

The RQ valves can be equipped with a SICBLOC adjustment knob, only on the main pressure regulation. To operate it, push and rotate at the same time. To request this option, add: /M (see par.1).



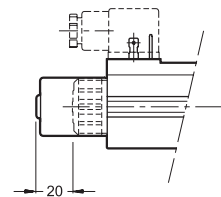
8 - ELECTRIC CONNECTORS

The solenoid valves are never supplied with connector. Connectors must be ordered separately. For the identification of the connector type to be ordered, please see catalogue 49 000.

9 - MANUAL OVERRIDE, BOOT PROTECTED: CM

Whenever the solenoid valve installation may involve exposure to atmospheric agents or utilization in tropical climates, use of the manual override, boot protected is recommended. Add the suffix **CM** to request this device (see par. 1).

VERSION
/CM



10 - FASTENING BOLTS AND SEALING RINGS

	RQM3-P	RQM5	RQM7
Fastening (4 bolts)	M12 x 40	M16 x 50	M18 x 60
Torque	69 Nm	170 Nm	235 Nm
Sealing rings	2 OR type 123 1 OR type 109	2 OR type 3118 1 OR type 109	2 OR type 4137 1 OR type 109

11 - SUBPLATES (see catalogue 51 000)

	RQM3-P	RQM5-P	RQM7-P
Type	PMRQ3-AI4G rear ports	PMRQ5-AI5G rear ports	PMRQ7-AI7G rear ports
PT port dimensions	1/2" BSP	3/4" BSP	1" 1/4 BSP
X port dimensions	1/4" BSP	1/4" BSP	1/4" BSP

	<p>DIPLOMATIC OLEODINAMICA SpA 20025 LEGNANO (MI) - P.le Bozzi, 1 / Via Edison Tel. 0331/472111-472236 - Fax 0331/548328</p>
--	---