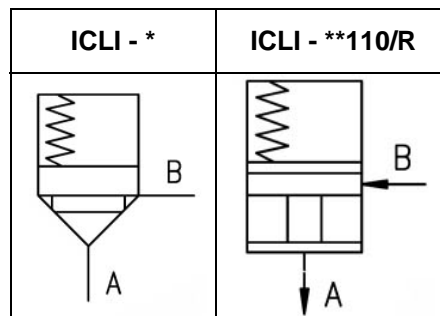




Characteristics

Type	Size	Max pressure	Area ratio
ICLI-16	DN 16	350 bar	1 : 1.0
ICLI-25	DN 25		1 : 1.1
ICLI-32	DN 32		1 : 1.5
ICLI-40	DN 40		1 : 1.65/S
ICLI-50	DN 50		1 : 1.2/S
			1 : 1.1
			1 : 2

Symbol



Description

Two-way logical cartridges used to realize pressure, flow and direction control. Housing cavity dimensions with DIN24 342.

Models

1:1.5/S
1:1.65/S

1:1.5

1:1.1

1:1.0

1:1.0/R

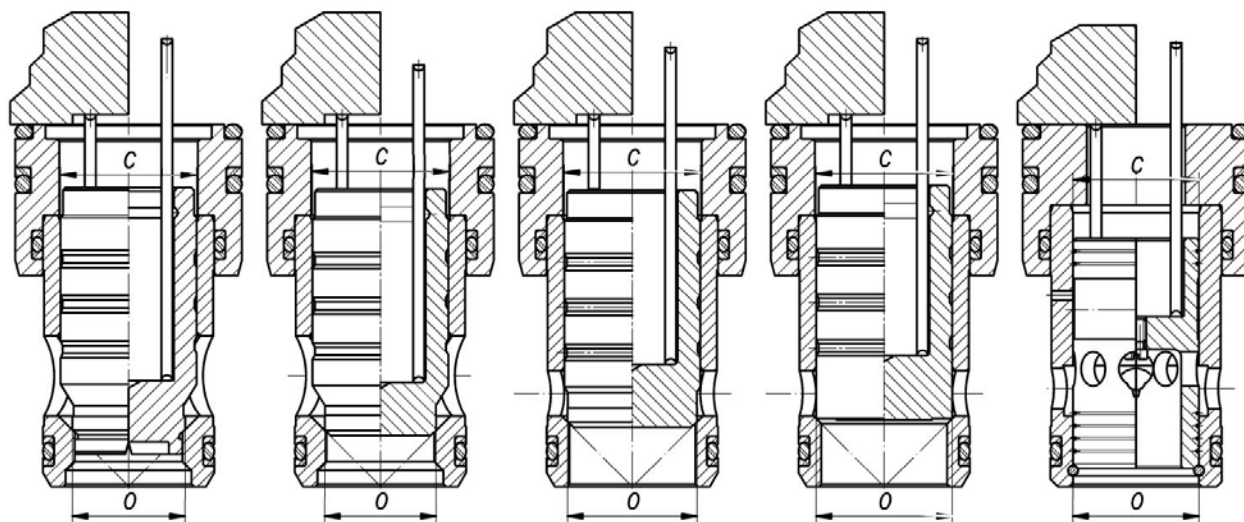
SEZ.O : SEZ.C = 0.67
SEZ.O : SEZ.C = 0.61

SEZ.O : SEZ.C = 0.67

SEZ.O : SEZ.C = 0.91

SEZ.O : SEZ.C = 1

SEZ.O : SEZ.C = 1



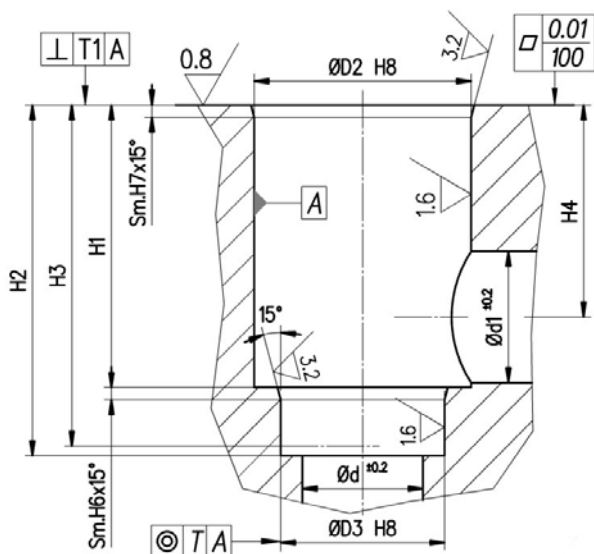
Installation rules

- The cartridges type ICLI can be mounted in any position
- Fluid to be used: hydraulic oil in compliance with DIN 51524 rules, viscosity between 30 and 100 mm²/s (cSt) at 40°C
- Recommended filtration: 25µ
- Hydraulic fluid temperature: from -20° to +75°C

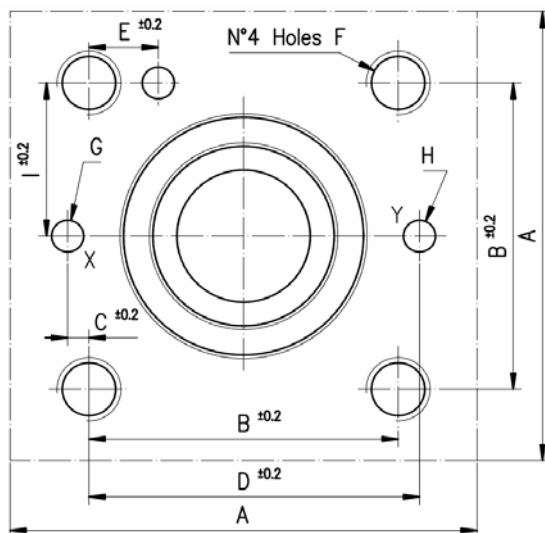
LOGICAL CARTRIDGE VALVE - DIN 24342



Dimensions

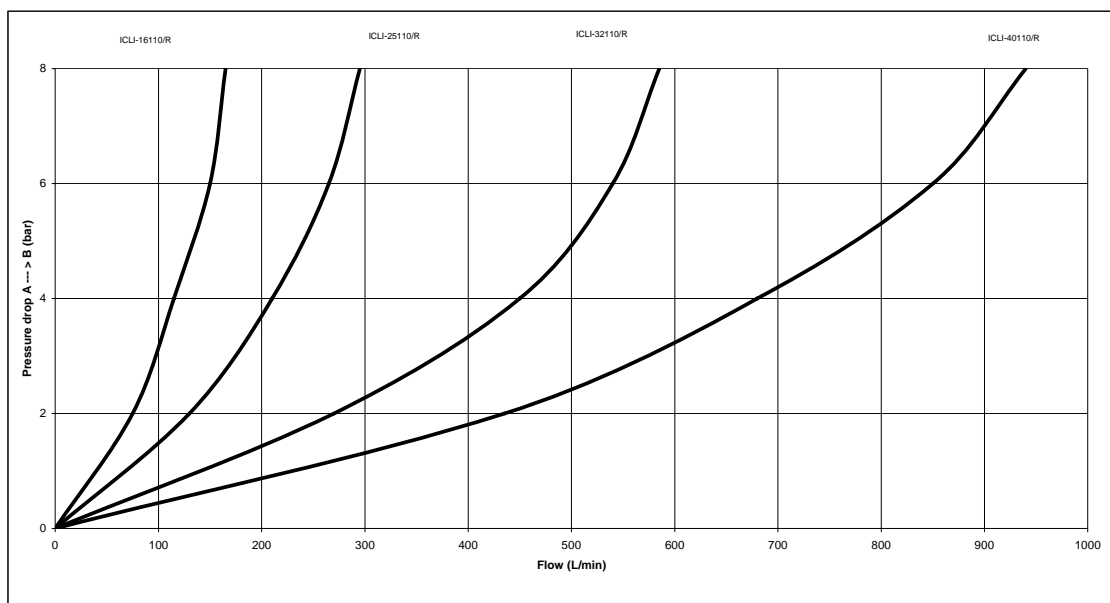


TYPE	ICLI-16	ICLI-25	ICLI-32	ICLI-40	ICLI-50
Ø d	16	25	32	40	50
Ø d1	22.5	27	38.5	54.4	62.5
Ø D2	32	45	60	75	90
Ø D3	25	34	45	55	68
H1 ^{+0.1} / ₀	43	58	70	87	100
H2 ^{+0.1} / ₀	56	72	85	105	122
H3	54	70	83	102	117
H4 ⁰ / _{-0.1}	31	43.5	49	57	66
H5	20	30	30	30	35
H6	2	2.5	2.5	3	3
H7	2	2.5	2.5	3	3
T	0.03	0.03	0.03	0.05	0.05
T1	0.05	0.05	0.1	0.1	0.1



TYPE	ICLI-16	ICLI-25	ICLI-32	ICLI-40	ICLI-50
A	65	85	102	125	140
B	46	58	70	85	100
C	2	4	6	7.5	8
D	48	62	76	92.5	108
E	12.5	13	18	19.5	20
F	M8x22	M12x30	M16x38	M20x46	M20x46
G					
H	4	6	8	10	10
I	2	4	6	7.5	8

Diagram



LOGICAL CARTRIDGE VALVE - DIN 24342



Ordering code

