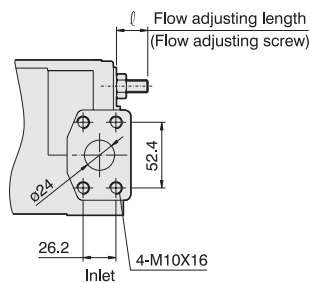
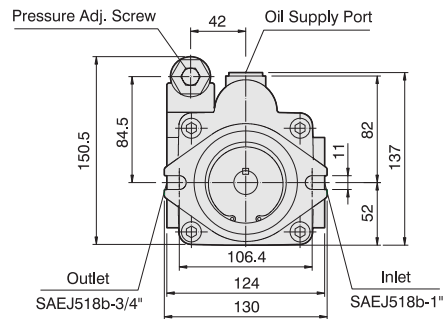
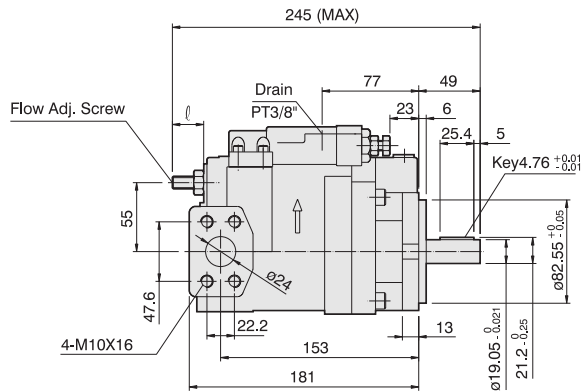
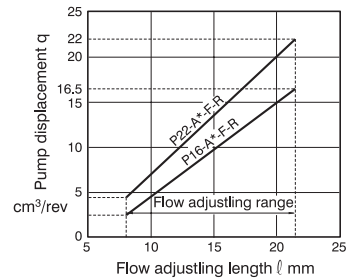


# PRESSURE COMPENSATING TYPE

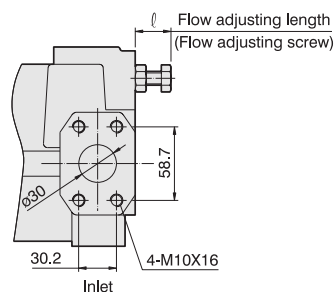
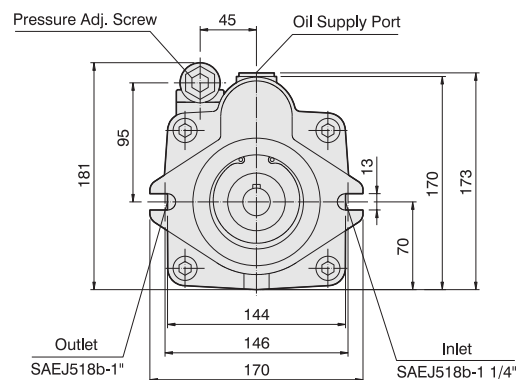
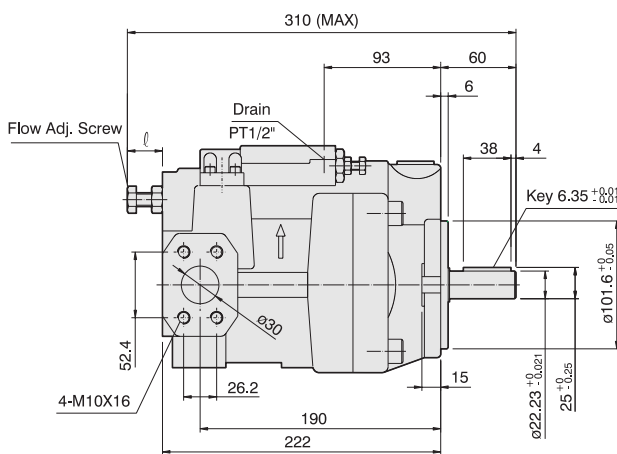
## P16-A-TYPE / P22-A-TYPE



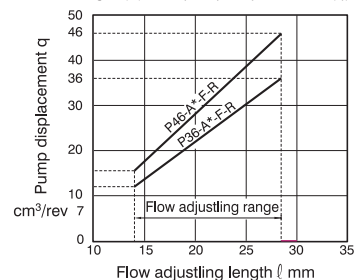
The relation between flow adjusting length ( $\ell$ ) and pump displacement ( $q$ )



## P36-A-TYPE / P46-A-TYPE

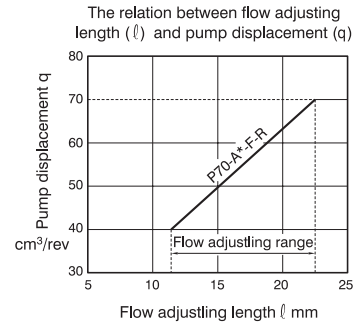
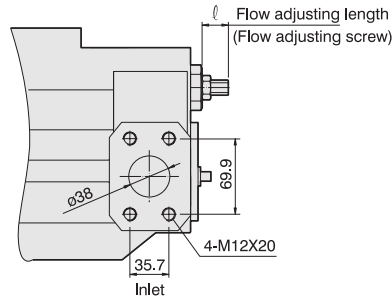
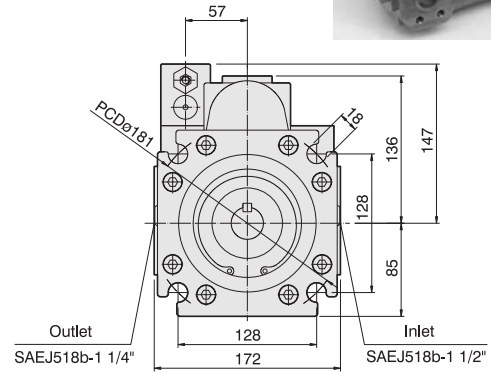
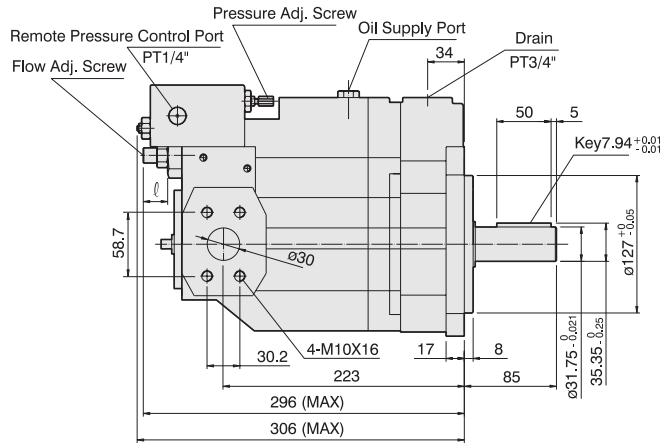


The relation between flow adjusting length ( $\ell$ ) and pump displacement ( $q$ )



# PRESSURE COMPENSATING TYPE

## P70-A-TYPE



## P100-A-TYPE

